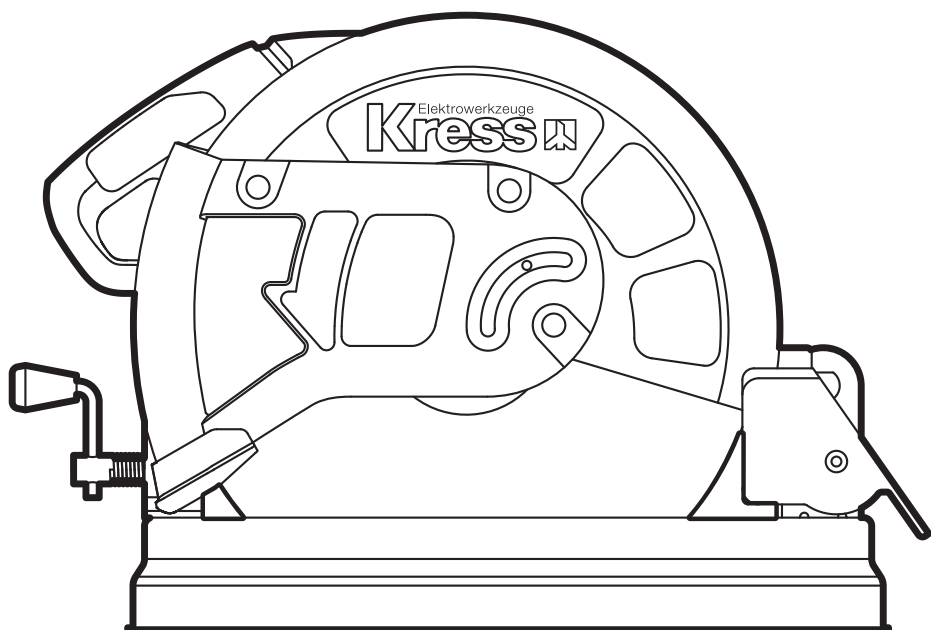


Elektrowerkzeuge
Kress



SAFETY AND OPERATING MANUAL

Cut off saw

KU760



SAFETY INSTRUCTIONS



WARNING! When using electric tools basic safety precautions should always be followed to reduce the risk of fire, electric shock and personal injury including the following.

Read all these instructions before attempting to operate this product and save these instructions.

This appliance is not intended for use by persons (including children) with reduced physical, sensory or mental capabilities, or lack of experience and knowledge, unless they have been given supervision or instruction concerning use of the appliance by a person responsible for their safety.

Safe operation

1- Keep work area clear

- Cluttered areas and benches invite injuries.

2 - Consider work area environment

- Do not expose tools to rain.
- Do not use tools in damp or wet locations.
- Keep work area well lit.
- Do not use tools in the presence of flammable liquids or gases.

3 - Guard against electric shock

- Avoid body contact with earthed or grounded surfaces (e.g. pipes, radiators, ranges, refrigerators).

4 - Keep other persons away

- Do not let persons, especially children, not involved in the work touch the tool or the

extension cord and keep them away from the work area

5 - Store idle tools

- When not in use, tools should be stored in a dry locked-up place, out of reach of children.

6 - Do not force the tool

- It will do the job better and safer at the rate for which it was intended.

7 - Use the right tool

- Do not force small tools to do the job of a heavy duty tool.
- Do not use tools for purposes not intended; for example do not use circular saws to cut tree limbs or logs.

8 - Dress properly

- Do not wear loose clothing or jewellery, they can be caught in moving parts.
- Non-skid footwear is recommended when working outdoors.
- Wear protective hair covering to contain long hair.

9 - Use protective equipment

- Use safety glasses.
- Use face or dust mask if working operations create dust.

10 - Connect dust extraction equipment

- If the tool is provided for the connection of dust extraction and collecting equipment, ensure these are connected and properly used.

11 - Do not abuse the cord

- Never yank the cord to disconnect it from the socket. Keep the cord away from heat, oil and sharp edges.

12 - Secure work

- Where possible use damps or a vice to hold the work. It is safer than using your hand.

13 - Do not overreach

- Keep proper footing and balance at all times.

14 - Maintain tools with care

- Keep cutting tools sharp and clean for better and safer performance.
- Follow instruction for lubricating and changing accessories.
- Inspect tool cords periodically and if damaged have them repaired by an authorized service facility.
- Inspect extension cords periodically and replace if damaged.
- Keep handles dry, clean and free from oil and grease.

15 - Disconnect tools

- When not in use, before servicing and when changing accessories such as blades, bits and cutters, disconnect tools from the power supply.

16 - Remove adjusting keys and wrenches

- Form the habit of checking to see that keys and adjusting wrenches are removed from the tool before turning it on.

17- Avoid unintentional starting

- Ensure switch is in "off" position when plugging in

18 - Use outdoor extension leads

- When the tool is used outdoors, use only extension cords intended for outdoor use and so marked.

19 - Stay alert

- Watch what you are doing, use common sense and do not operate the tool when you are tired.

20 - Check damaged parts

- Before further use of tool, it should be carefully checked to determine that it will operate properly and perform its intended function.
- Check for alignment of moving parts, binding of moving parts, breakage of parts, mounting and any other conditions that may affect its operation.
- A guard or other part that is damaged should be properly repaired or replaced by an authorized service centre unless otherwise indicated in this instruction manual.

- Have defective switches replaced by an authorized service centre.
 - Do not use the tool if the switch does not turn it on and off.
- 21 - Warning**
- The use of any accessory or attachment other than one recommended in this instruction manual may present a risk of personal injury.
- 22 - Have your tool repaired by a qualified person**
- This electric tool complies with the relevant safety rules. Repairs should only be carried out by qualified persons using original spare parts, otherwise this may result in considerable danger to the user.
- 23 - If the replacement of the supply cord is necessary, this has to be done by the manufacturer or his agent in order to avoid a safety hazard.**
- 24 - For tools intended to be connected to a water supply:**
- Replacement of the plug or the supply cord shall always be carried out by the manufacturer of the tool or his service organisation,
 - Keep water clear off the electrical parts of the tool and away from persons in the working area.

SAFE OPERATION

- **WARNING:** Ensure that the abrasive cutting-off wheel is correctly fitted and tightened before use. Run the machine at no-load for 30 s in a safe position, and to stop immediately and replace the cutting-wheel if there is considerable vibration or if other defects are detected;
- **WARNING:** Ensure that ventilation openings are kept clear when working in dusty conditions. First disconnect the machine from the mains supply and to clean the openings by using a soft brush, if it should become necessary to clear dust.
- **WARNING:** Not to use the machine in explosive atmospheres and environments where sparks could cause fire, explosion etc;
- **WARNING:** The wheel continues to rotate after the machine is switched off;
- To prevent loss of control the cutting-off grinder should always be fixed to a bench with bolts of sufficient length and strength.
- Read the operating instructions supplied by the wheel manufacturer;

ADDITIONAL SAFETY RULES

Safety precautions






- **WARNING:** Wear protective glasses. Always use eye and ear protection when cutting;
- Use other personal protective equipment such as dust mask, gloves, helmet and apron, when necessary;
- Inspect the cutting wheel by visual check before use, and do not use chipped, cracked or otherwise defective abrasive cutting-off wheels;
- Use only abrasive wheels recommended by the manufacturer which have marked speed equal or greater to that marked on the machine;
- connect circular saws to a dust-collecting device when operating;
- Do not use the cutting-off grinders without guards in position;
- Do not use damaged abrasive wheels;
- **WARNING:** Not to use saw blades.

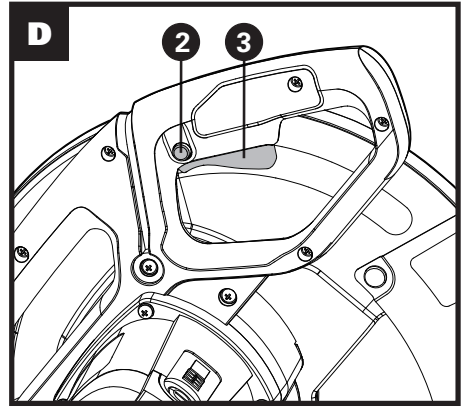
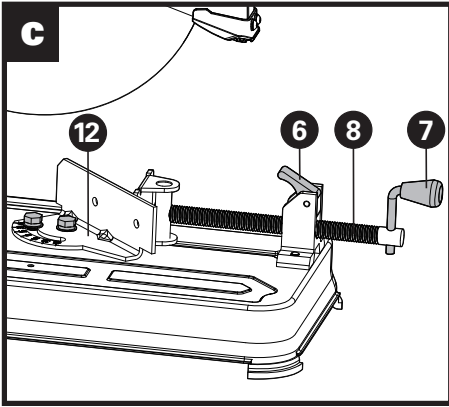
SPECIFIC SAFETY RULES FOR CUT OFF SAWS

1. If the power cable is damaged or cut through while working, do not touch the cable, and pull the power plug out immediately. Never use the machine with a damaged cable.
2. Wear protective glasses and hearing protection. Dust is generated while working that can be detrimental to health, inflammable or explosive. Suitable protective measure are required.
3. For example: Some types of dust are considered to be carcinogenic. Use suitable dust vacuuming and wear a dust protection mask.
4. Light metal dust can burn or explode. Always keep the workplace clean since mixed materials are especially dangerous.
5. Wear protective gloves and sturdy shoes. When necessary, also wear protective clothing.
6. Connect machines that are used outdoors by means of a fault current circuit breaker (FI) with a maximum triggering current of 30 mA. Use only an extension cable that is approved for outdoor use.
7. Always lead the cable to the rear away from the machine.
8. Use the machine only for dry cutting.

9. Take hold of the electric tool only by the insulated handle when the cutting tool could come in contact with hidden wiring or its own power cable. Contact with voltage carrying wiring can place the metal parts of the machine also under voltage and lead to an electrical shock.
10. Never stand on the machine. Serious injury could occur if the tool is tipped or if the cutting tool is accidentally started.
11. Use cutting discs whose allowable speed is at least as high as the no load speed of the machine. Check the cutting disc before use.
12. Keep your body positioned to either side of but not in line with the cutting disc. In case of a burst disc, your body is better protected from possible fragments.
13. The cutting disc must be flawlessly mounted and be able to rotate freely. Make a test run of at least one minute without load. Do not use damaged, out of round or vibrating cutting discs. Always correctly adjust the depth stop. When the depth stop is not properly adjusted, the cutting disc can cut into the surface underneath the base plate.
14. During operation, the cutting disc cover must be attached and the protective pendulum hood must be functioning properly.
15. Do not work with magnesium or materials containing asbestos.
16. Protect the cutting disc from impacts, shocks and grease.
17. Apply the machine to the work piece only when it is switched on.
18. Keep your hands away from the rotating cutting disc.
19. When cutting metal, sparks are generated. Take care that no persons are endangered. Because of the danger of fire, no combustible materials should be located in the vicinity (spark flying zone).
20. Blocking of the cutting disc leads to a jerking reaction of the machine. In this case, switch off the machine immediately.
21. Do not ram the cutting disc with force into the work piece or apply too much pressure when using the machine. Avoid especially the catching of the cutting disc when working on corners, sharp edges, etc. When the cutting disc is damaged due to misuse, it may develop cracks that could lead to bursting without warning.
22. Avoid overloading the motor especially when working with large work pieces. When cutting, apply only light pressure to the handle.
23. Observe the dimensions of the cutting disc. The hole diameter must fit on the tool spindle or the adapter without play.
24. Do not apply sideways pressure to the cutting disc.
25. Observe the instructions of the manufacturer for the mounting and usage of the cutting disc.
26. Actuate the spindle locking only when the cutting disc is at a standstill.
27. The cutting disc becomes very hot while working; never take hold of it before it has cooled.

SYMBOL

	To reduce the risk of injury, user must read instruction manual
	Wear ear protection
	Wear eye protection
	Wear dust mask
	Double insulation



COMPONENT LIST

1.	HANDLE
2.	SWITCH SELF-LOCKING KNOB
3.	SWITCH
4.	MOVABLE SHIELD
5.	SLICING
6.	UNLOCK KEY
7.	SCREW HANDLE
8.	FASTENING SCREW ROD
9.	SPANNER
10.	BASE
11.	FIXED BAFFLE PLATE FIXING BOLT A
12.	FIXED BAFFLE PLATE
13.	FIXED BAFFLE PLATE FIXING BOLT B
14.	CUTTING DEPTH ADJUSTMENT BOLT
15.	ARM RETAINING PIN
16.	ARM
17.	SPINDLE
18.	EXTERNAL PRESSING PLATE
19.	WASHER
20.	HEX BOLT
21.	SPARK BAFFLE
22.	SPINDLE LOCKING KNOB

Some of the accessories mentioned in illustrations or texts are not included in the scope of supply.

TECHNICAL DATA

Rated voltage	220-230V~50Hz
Rated input power	2200W
Rated no-load speed	3900r/min
Disc size	355mm
Disc bore	25.4mm
Machine weight	16kg
Protection class	□/II

ACCESSORIES

Spanner	1
355mm resin cutting slice	1

Recommend to choose your accessories from the store where you purchased the power tool. Please select the right accessory based on your work. Please refer to the accessory package for more methods and assistance of using the accessory.

OPERATING INSTRUCTIONS

 **NOTE: Please read the instructions carefully before using the machine.**

In order to ensure the safety of operating, the machine base must be placed on a firm and flat surface (e.g., worktable, flat ground, etc.).

1. Arm fixing

Be sure to pull out the plug before doing any repairs to the machine.

Using the arm fixing pin (15) to fix the arm helps to carry the machine, thereby alleviating the inconvenience of handling the machine.

Fixing the Machine (Handling Position)

Put the handle (1) down to the lowest position, push the arm retaining pin (15) inward, and let go.

Unlocking (Working position)

Push down the handle (1) slightly, pull out the arm retaining pin (15) outward, and lift the arm slowly upward.

Before operating the machine, check whether the arm fixing button has been pulled out, if not, the arm can not be moved to the desired position.

2. Replacement of slices (see figure B)

Be sure to pull out the plug before doing any repairs to the machine.

When choosing slices, be sure to refer to the specifications provided in this manual.

The allowable speed of the slice shall not be lower than the idle speed of the machine.

The spindle locking function can only be used after the slice is completely stopped.

Removal of slices

Adjust the machine to the highest point.

Push the movable shield (4) upward to the end.

Rotate the hex bolt (20) with the wrench (9) attached to the machine, and push and press the spindle locking button (22) at the same time until the spindle is locked.

Press the spindle locking switch, turn out the hex bolt (20), take out the external pressure plate (18) and washer (19).

Remove slices (5).

Installation of slices

If necessary, clean the relevant parts thoroughly before installation.

Install the new slice on the spindle (17). The labeled

side of the cutter must be facing outward (back to arm (16)). If the direction of rotation is marked on the slice, make sure that the direction of rotation of the slice is the same as that of the spindle.
Install the external pressure plate (18), washers (19) and hex bolts (20). Press down the spindle locking button (22) until it is secured and tighten the hex bolt (20). Slowly lower the movable shield to its original position.

**3.Adjust the angle of the diagonal saw.
Be sure to pull out the plug before doing any repairs to the machine.**

The angle of the diagonal saw can be adjusted from 0 to 45 degrees. The fixing baffle (12) is marked with commonly used angles. There are additional gears at 0 and 45 degrees.

Loosen the two fixing bolts (11) and (13) with wrench(9) attached to the machine, and tighten the screw after adjusting the angle.

**4.Fixing the workpiece (see figure C)
Be sure to pull out the plug before doing any repairs to the machine.**




In order to ensure the safety of work, it is necessary to fix the workpiece before using the machine.
Put the workpiece against the fixing baffle (12), push the fastening screw rod (8) to the workpiece, and rotate the screw handle (7) to clamp the workpiece.
Release the workpiece
Loosen the screw handle (7). Lift the unlock key (6) and pull out the fastening screw rod(8).

**5.Formal operation
Start/shut off (see figure D)**

Press the switch (3) and press the switch self-locking button (2), then release the switch, and then release the self-locking button. At this time, the switch is locked in working state. Re-press and loosen the switch to stop the machine.

Operation instructions

Maximum workpiece size [mm]

Workpiece shape	Angle of the diagonal saw	
	0°	45°
	115 x 115	95x95
	110 x 120	95x120
	125 x 125	95x95

The machine should not be blocked by overload. If the machine is operated with too much force, it will not only reduce the power of the machine, but also shorten the service life of the slices.
During cutting, the slices become very hot; they are not touchable until they are cooled down.
Choose the appropriate slice according to the

workpiece.

Cutting depth

The **cutting** depth has been adjusted when the machine leaves the factory. Generally speaking, if a new 355 mm slice is used, it should not exceed the lower plane of the base when cutting. If the chip has been heavily worn, reduce the depth scale to balance the gap.

When using new slices, it is necessary to adjust the depth scale back to the original position at the time of leaving the factory.

Correctly adjust the depth scale so that the slice can not exceed the bottom plane of the base when cutting the workpiece.

**Adjust the cutting depth
Be sure to pull out the plug before doing any repairs to the machine.**

Use the attached wrench to loosen the cutting depth adjusting bolt (14). Push the handle to adjust the arm (16) to the desired position.

Turn the adjusting bolt (14) clockwise or counterclockwise until the bolt head contacts the arm housing.

Slowly raise the arm (16) and tighten the adjusting bolt (14).

MAINTENANCE

Be sure to unplug the power cord before any repair work on the machine.

No additional lubrication or special maintenance is needed for your power tool. Do not use water or chemical detergent to clean your power tool. Wipe it with a dry cloth. Tools should be kept in dry environment and keep the motor vent clean. Try not to use it in dusty environment.

If the power cord is damaged, it must be replaced by the manufacturer, a special service center, or an professional person with equivalent qualifications to avoid a hazard.





Elektrowerkzeuge
Kress 

Copyright © 2019, Positec. All Rights Reserved.