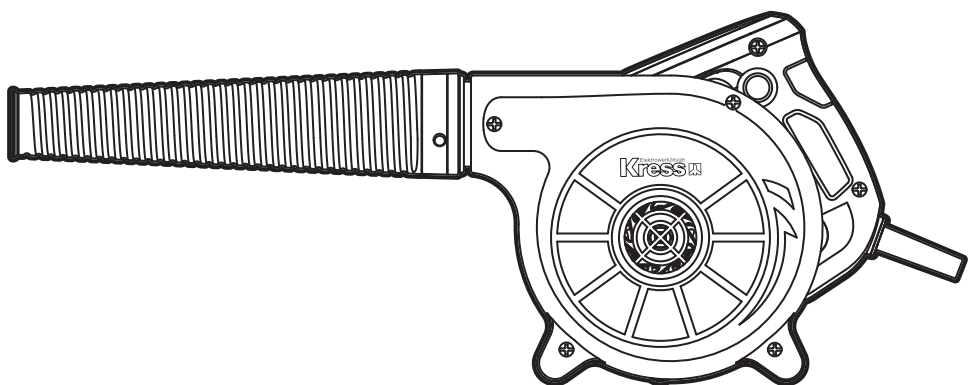


Elektrowerkzeuge
Kress



SAFETY AND OPERATING MANUAL

500W Blower

KU090

PRODUCT SAFETY

GENERAL SAFETY

WARNINGS



WARNING! Read all safety warnings and all instructions. Failure to follow the warnings and instructions may result in electric shock, fire and/or serious injury.

Save all warnings and instructions for future reference.

- This appliance is not intended for use by persons (including children) with reduced physical, sensory or mental capabilities, or lack of experience and knowledge, unless they have been given supervision or instruction concerning use of the appliance by a person responsible for their safety.
- Children should be supervised to ensure that they do not play with the appliance.
If the supply cord is damaged, it must be replaced by the manufacturer, its service agent or similarly qualified persons in order to avoid a hazard.



WARNING: To reduce the risk of injury, user must read and understand instruction manual.

1) Training

- a) read the instructions carefully. Be familiar with the controls and the proper use of the appliance;
- b) never allow people unfamiliar with these instructions to use the appliance. Local regulations may restrict the age of the operator;
- c) never operate the appliance while people, especially children, or pets are nearby;
- d) The operator or user is responsible for accidents or hazards occurring to other people or their property.

2) Preparation

- a) While operating the appliance, always wear substantial footwear and long trousers. Do not operate the equipment when barefoot or wearing open sandals;
- b) Do not wear loose clothing or jewellery that can be drawn into the air inlet. Keep long hair away from the air inlets.
- c) Wear protective goggles while operating
- d) To prevent dust irritation the wearing of a face mask is recommended
- e) Before using, check the supply and extension cord for signs of damage and aging. Do not use the appliance if the cord is damaged or worn.
- f) Never operate the appliance with defective guards or shields, or without safety devices
- g) Only use a weather proof extension cable fitted with a coupler according to IEC 60320-2-3.
- h) The appliance should be supplied via a residual current device (RCD) with a tripping current of not more than 30 mA is recommended.
- i) If an extension cord is used make sure it is for outdoor use and marked as such. The recommended size of extension cord is not lighter than 0.75 mm².








3) Operation

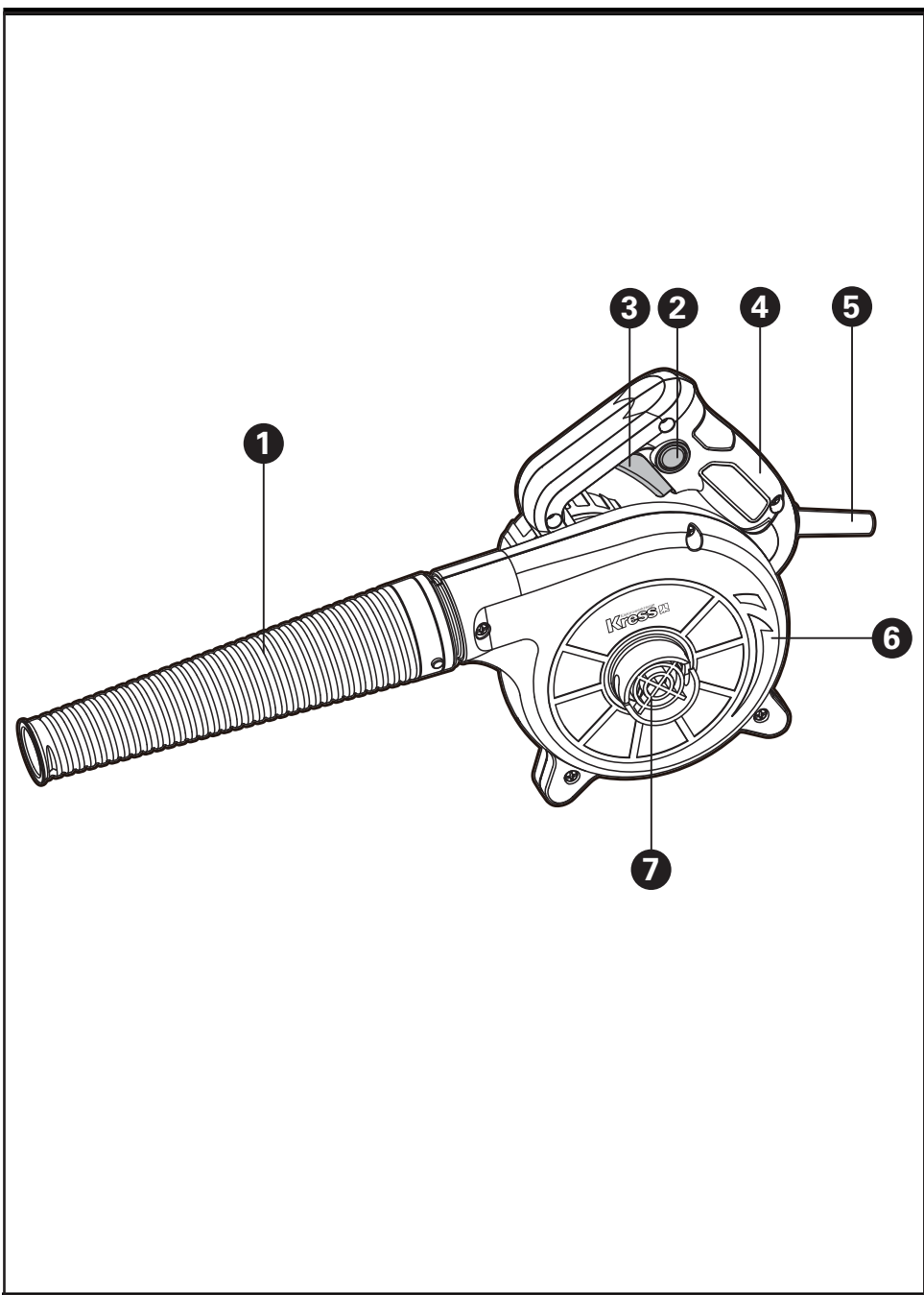
- a) Always direct the cable to the rear away from the appliance.
- b) If the cord becomes damaged during use, disconnect the supply cord from the mains immediately. **DO NOT TOUCH THE CORD BEFORE DISCONNECTING THE SUPPLY.**
- c) Do not carry the appliance by the cable.
- d) Disconnect the appliance from the mains supply
 - whenever you leave the machine;
 - before clearing a blockage;
 - before checking, cleaning or working on the appliance;
 - if the appliance starts to vibrate abnormally.
- e) Operate the appliance only in daylight or in good artificial light.
- f) Do not overreach and keep your balance at all times.
- g) Always be sure of your footing on slopes.
- h) walk, never run;
- i) Keep all cooling air inlets clear of debris.
- j) Never blow debris in the direction of bystanders.
- k) Do not put hands or feet near or under rotating parts. Keep clear of the discharge opening at all times;
- l) Never pick up or carry the appliance while the engine is running;

4) Maintenance and storage

- a) keep all nuts, bolts and screws tight to be sure the appliance is in safe working condition;
- b) Replace worn or damaged parts.
- c) Use only genuine replacement parts and accessories.
- d) Store the appliance only in a dry place.

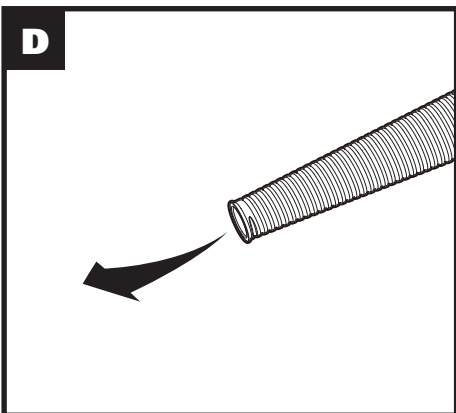
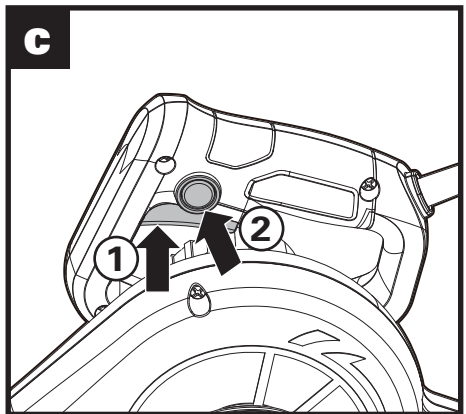
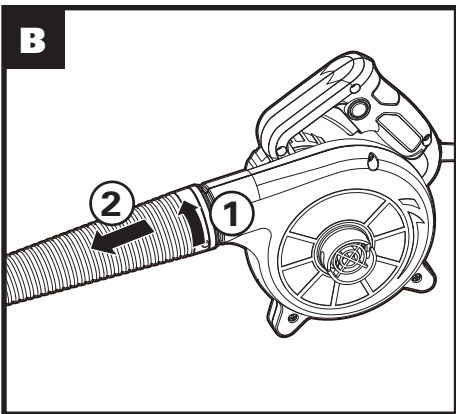
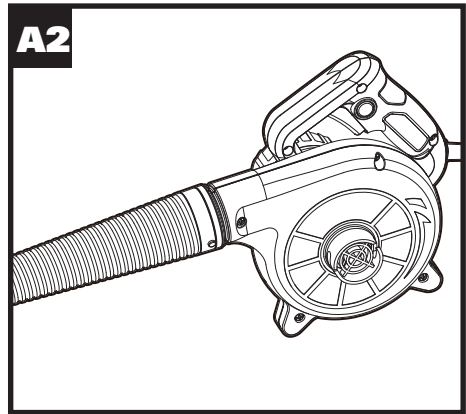
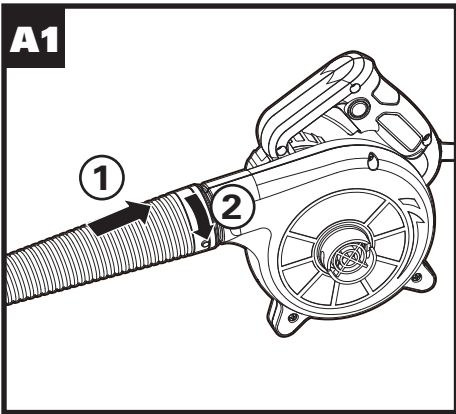
SYMBOLS

	WARNING: Read the operator's manual.
	Keep bystanders away.
	Warning of hazard
	Double insulation
	Wear eye protection
	SWITCH OFF: Remove plug from mains before cleaning or maintenance.
	Do not use in the rain or leave outdoors while it is raining.



500W Blower

KU090



500W Blower

KU090

1. BLOWER TUBE

2. SELF-LOCKING BUTTON

3. ON/OFF SWITCH

4. HANDLE

5. CABLE

6. MOTOR

7. AIR INLET

* Not all the accessories illustrated or described are included in standard delivery.

TECHNICAL DATA

Rated voltage	220-230V-50Hz
Rated power	500W
No load speed	19000rpm
Air volume	2.8m ³ /min
Machine weight	1.1 kg

ACCESSORIES

Blower tube	1
-------------	---

We recommend that you purchase your accessories listed in the above list from the same store that sold you the blower. Refer to the accessory packaging for further details. Store personnel can assist you and offer advice.

OPERATING INSTRUCTIONS



NOTE: Before using the tool, read the instruction book carefully.

Assembly

NOTE:

- Be sure to unplug the blower before maintenance, cleaning or adjusting the blower, replacing accessories or storage.
- Make sure that ON/OFF Switch (3) is on "O" position before assembling or removing any accessories.

1. Installing the blower tube

- 1) Insert the blower tube into the blower's interface as shown in Fig. A1. Make sure the bayonet connection inside the blower tube is firmly inserted into the fitting connection port of the blower.
- 2) Turn the blower tube clockwise about a quarter of a circle.
- 3) Check whether the blower tube has been fixed as shown in Fig. A2.

When dismantling, turn the blower tube counterclockwise about a quarter of a circle until the bayonet connection snaps into the fitting connection port of the blower. Pull out the blower tube. (See Fig. B)

Operation

1. Startup/stop the blower (See Fig. C)

Startup

Press the switch (3), press the self-locking button (2), and release the switch first, then the self-locking button, the blower can continue to run on its own.

Stop

Press and release the switch (3).



WARNING! The tool runs for a few seconds after it has been switched off. Let the motor come to a complete standstill before setting the tool down.

2. Blower usage (See Fig. D)

The blower can be used for the following purposes:

1. Building construction (for blowing dust, clearing fallen leaves, cleaning the workplace during punching holes for steel bar)
2. Factory equipment (for dedusting machines and equipment in factory)
3. Family and life (for dust removal of security window and warehouse as well as car cleaning etc)



WARNING!

- Do not blow heavy objects such as screws and rocks.
- Keep clear of human or pet nearby during usage.
- Extra care should be taken when cleaning debris from stairs or other narrow areas.
- Wear protective goggles or other suitable eye protections, trousers and shoes.
- Do not blow dust to people standing nearby.
- Do not blow any hot, flammable or explosive materials.

CLEANING THE TOOL

Clean the tool regularly.



WARNING! Keep your product dry, under no circumstances spray with water.

- **To clean the tool, use only mild soap and a damp cloth.**
- **Do not use any type of detergent, cleaner or solvent which may contain chemicals that could seriously damage the plastic.**
- **Self lubricating bearings are used in your product, therefore lubrication is not required.**

ENVIRONMENTAL PROTECTION



Disposal

The machine, its accessories and packaging materials should be sorted for environmentally friendly recycling. The plastic components are labeled for categorized recycling.

Elektrowerkzeuge
Kress 

Copyright © 2019, Positec. All Rights Reserved.