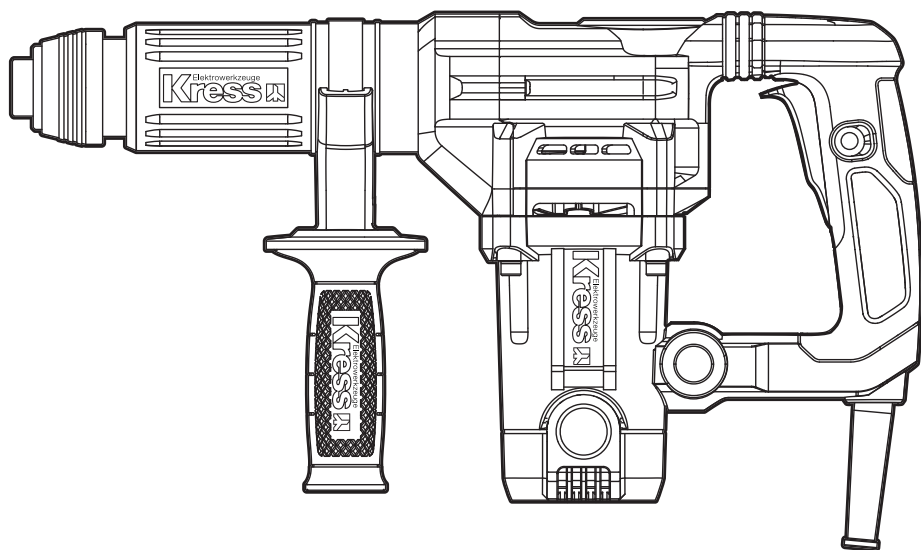


Elektrowerkzeuge
Kress




SAFETY AND OPERATING MANUAL

Demolition Hammer

KU340.1

GENERAL POWER TOOL SAFETY WARNINGS

 **WARNING** Read all safety warnings and all instructions. Failure to follow the warnings and instructions may result in electric shock, fire and/or serious injury.

Save all warnings and instructions for future reference.

The term “power tool” in the warnings refers to your mains-operated (corded) power tool or battery-operated (cordless) power tool.

1) Work area safety

- a) **Keep work area clean and well lit.** Cluttered or dark areas invite accidents.
- b) **Do not operate power tools in explosive atmospheres, such as in the presence of flammable liquids, gases or dust.** Power tools create sparks which may ignite the dust or fumes.
- c) **Keep children and bystanders away while operating a power tool.** Distractions can cause you to lose control.

2) Electrical safety

- a) **Power tool plugs must match the outlet. Never modify the plug in any way. Do not use any adapter plugs with earthed (grounded) power tools.** Unmodified plugs and matching outlets will reduce risk of electric shock.
- b) **Avoid body contact with earthed or grounded surfaces, such as pipes, radiators, ranges and refrigerators.** There is an increased risk of electric shock if your body is earthed or grounded.
- c) **Do not expose power tools to rain or wet conditions.** Water entering a power tool will increase the risk of electric shock.
- d) **Do not abuse the cord. Never use the cord for carrying, pulling or unplugging the power tool. Keep cord away from heat, oil, sharp edges or moving parts.** Damaged or entangled cords increase the risk of electric shock.
- e) **When operating a power tool outdoors, use an extension cord suitable for outdoor use.** Use of a cord suitable for outdoor use reduces the risk of electric shock.
- f) **If operating a power tool in a damp location is unavoidable, use a residual current device (RCD) protected supply.** Use of an RCD reduces the risk of electric shock.

3) Personal safety

- a) **Stay alert, watch what you are doing and use common sense when operating a power tool. Do not use a power tool while you are tired or under the influence of drugs, alcohol or medication.** A moment of inattention while operating power tools may result in serious personal injury.

- b) **Use personal protective equipment. Always wear eye protection.** Protective equipment such as dust mask, non-skid safety shoes, hard hat, or hearing protection used for appropriate conditions will reduce personal injuries.
 - c) **Prevent unintentional starting. Ensure the switch is in the off-position before connecting to power source and/or battery pack, picking up or carrying the tool.** Carrying power tools with your finger on the switch or energising power tools that have the switch on invites accidents.
 - d) **Remove any adjusting key or wrench before turning the power tool on.** A wrench or a key left attached to a rotating part of the power tool may result in personal injury.
 - e) **Do not overreach. Keep proper footing and balance at all times.** This enables better control of the power tool in unexpected situations.
 - f) **Dress properly. Do not wear loose clothing or jewellery. Keep your hair and clothing away from moving parts.** Loose clothes, jewellery or long hair can be caught in moving parts.
 - g) **If devices are provided for the connection of dust extraction and collection facilities, ensure these are connected and properly used.** Use of dust collection can reduce dust-related hazards.
- ## 4) Power tool use and care
- a) **Do not force the power tool. Use the correct power tool for your application.** The correct power tool will do the job better and safer at the rate for which it was designed.
 - b) **Do not use the power tool if the switch does not turn it on and off.** Any power tool that cannot be controlled with the switch is dangerous and must be repaired.
 - c) **Disconnect the plug from the power source and/or remove the battery pack, if detachable, from the power tool before making any adjustments, changing accessories, or storing power tools.** Such preventive safety measures reduce the risk of starting the power tool accidentally.
 - d) **Store idle power tools out of the reach of children and do not allow persons unfamiliar with the power tool or these instructions to operate the power tool.** Power tools are dangerous in the hands of untrained users.
 - e) **Maintain power tools and accessories. Check for misalignment or binding of moving parts, breakage of parts and any other condition that may affect the power tool's operation. If damaged, have the power tool repaired before use.** Many accidents are caused by poorly maintained power tools.
 - f) **Keep cutting tools sharp and clean.** Properly maintained cutting tools with sharp cutting edges

- are less likely to bind and are easier to control.
- g) **Use the power tool, accessories and tool bits etc. in accordance with these instructions, taking into account the working conditions and the work to be performed.** Use of the power tool for operations different from those intended could result in a hazardous situation.

5) Service

- a) **Have your power tool serviced by a qualified repair person using only identical replacement parts.** This will ensure that the safety of the power tool is maintained.







HAMMER SAFETY WARNINGS

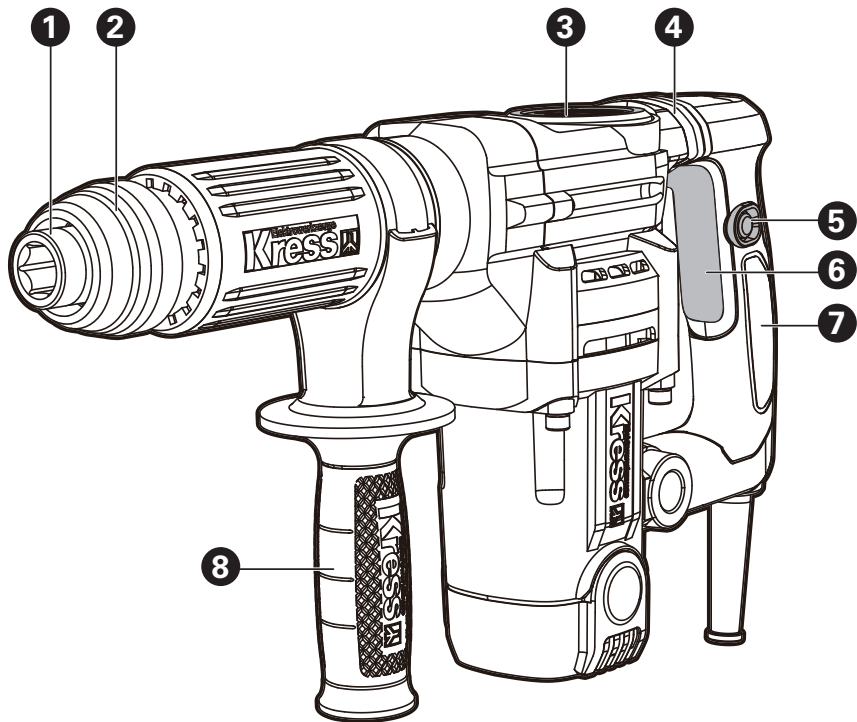
- 1. Wear ear protectors.** Exposure to noise can cause hearing loss.
- 2. Use auxiliary handle(s), if supplied with the tool.** Loss of control can cause personal injury.
- 3. Hold power tool by insulated gripping surfaces, when performing an operation where the cutting accessory may contact hidden wiring or its own cord.** Cutting accessory contacting a "live" wire may make exposed metal parts of the power tool "live" and could give the operator an electric shock.

ADDITIONAL SAFETY RULES FOR HAMMER

- 1. Always wear a dust mask.**

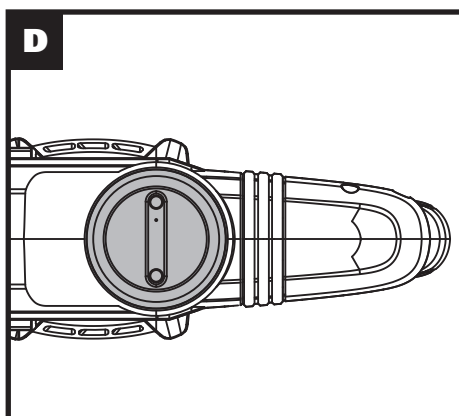
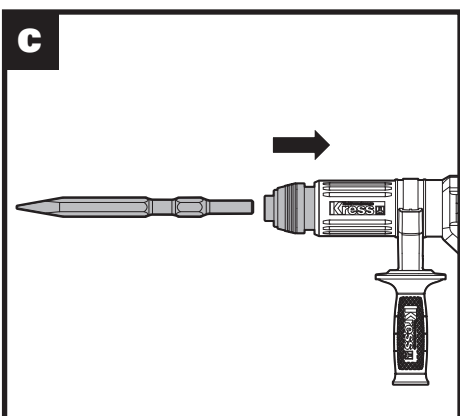
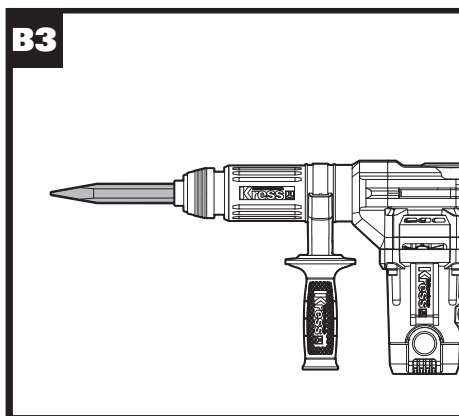
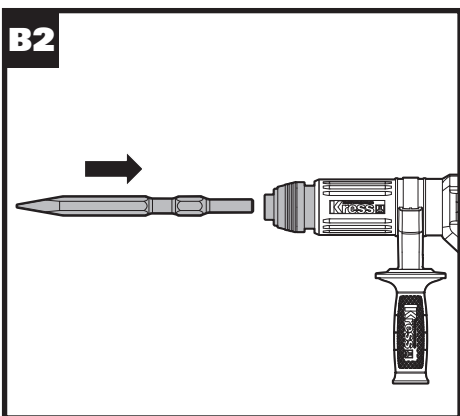
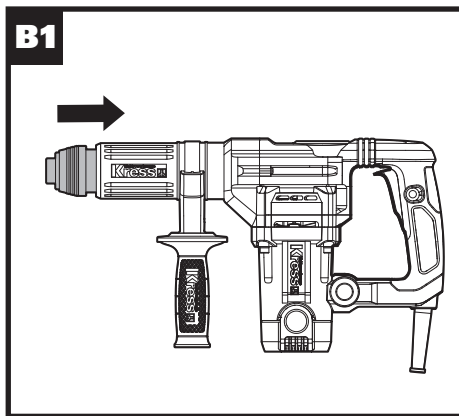
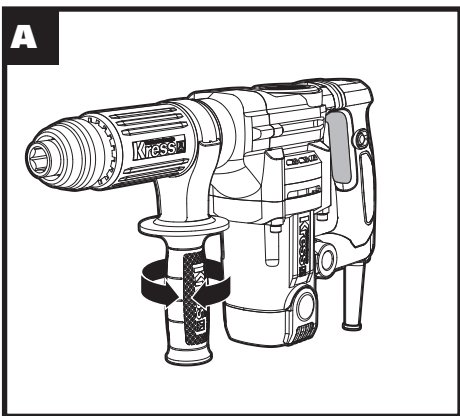
SYMBOL

	To reduce the risk of injury, user must read instruction manual
	Wear ear protection
	Wear eye protection
	Wear dust mask
	Double insulation
	Warning



Demolition Hammer

KU340.1



COMPONENT LIST

1. DUST-PROOF COVER
2. HEX CHUCK
3. OIL COVER
4. ANTI-VIBRATION HANDLE
5. SELF-LOCKING BUTTON
6. START-STOP SWITCH
7. MAIN HANDLE
8. AUXILIARY HANDLE

Not all the accessories illustrated or described are included in standard delivery.

TECHNICAL DATA

Rated voltage	220-230V~50Hz
Rated power input	1200W
Impact rate	3500bpm
Impact energy	26J
Protection class	□/II
Machine weight	5.5kg
Working system	30s / 90s

ACCESSORIES

Auxiliary handle	1
Spanner	1
Grease	1
Shovel with sharp end	1

We recommend that you purchase your accessories from the same store that sold you the tool. Choose the type according to the work you intend to undertake. Refer to the accessory packaging for further details. Store personnel can assist you and offer advice.

OPERATING INSTRUCTIONS



NOTE: Please read the instructions carefully before use.

Usage: This machine is suitable for gouging on concrete, bricks, stone and asphalt. After appropriate accessories are installed, it can also be used for squeezing and tamping.

INSTALLATION



Warning: Be sure to unplug the power cord before any commissioning or repair on the machine.

1. AUXILIARY HANDLE (SEE FIGURE A)

You can change the position of the auxiliary handle (8) as needed to improve work safety and comfort. Tighten the auxiliary handle (8) in the counter-clockwise direction and loosen the auxiliary handle (8) in the clockwise direction.



Warning: The auxiliary handle must be used during operation.

2. HEXAGONAL CHISEL

With the HEX chucks (2), the hexagonal chisel can be easily replaced without other auxiliary tools.

The dust-proof cover (1) prevents the dusts from entering the hexagonal chisel during operation. Be cautious when installing a hexagonal chisel without damaging the dust-proof cover (1).



Warning: Replace the dust-proof cover once it is damaged. To avoid danger, it must be replaced by the special service center, or a professional person with equivalent qualifications.

1) Installation

Pull down the HEX chuck (2) and screw it into the hexagonal chisel. Release the HEX chuck (2) to lock the hexagonal chisel. (See Figure B1-B3)
Pull the hexagonal chisel to make sure it is locked.

2) Disassembly

Pull down the HEX chuck (2) and remove the hexagonal chisel. (See Figure C)

Note: Use a sharp hex chisel to achieve good performance. It is important to grind the hexagonal chisel in time to extend its service life and achieve better performance.

3) Regularly add lubricant to the gearbox

Open the oil cover with the accompanying wrench (3), and add the appropriate amount of grease (see Figure D)

OPERATION

1. Start/stop

Press the start/stop switch to start the machine.
Release the start/stop switch (6) to stop the machine.

2 Continuous operation

Start: Press the start/stop switch (6) and lock the switch with the self-locking button (5) to keep it activated.

Off: Press the start/stop switch (6) and release it immediately.



Warning: If the machine is severely hot, make your machine run for 2-3 minutes without load to cool the motor.

MAINTENANCE

Remove the plug from the socket before carrying out any adjustment, servicing or maintenance.

There are no user serviceable parts in your power tool. Never use water or chemical cleaners to clean your power tool. Wipe clean with a dry cloth. Always store your power tool in a dry place. Keep the motor ventilation slots clean. Keep all working controls free of dust. Occasionally you may see sparks through the ventilation slots. This is normal and will not damage your power tool.

If the supply cord is damaged, it must be replaced by the manufacturer, its service agent or similarly qualified persons in order to avoid a hazard.

Elektrowerkzeuge
Kress 

Copyright © 2019, Positec. All Rights Reserved.